

Lighting Your Way

LURALINE

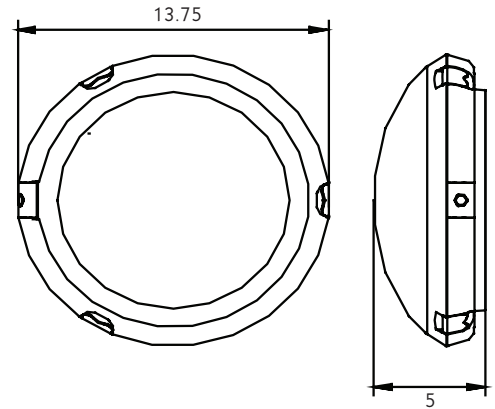
LIGHTING

LED Mushroom

Ideal for almost any indoor or outdoor application, these sleek new fixtures from Luraline Lighting combine a classic mushroom style, reimagined using today's LED lighting technology. The durable housing is constructed of injection-molded white ABS, with opal polycarbonate diffuser. Fixtures are CSA listed for wet locations and IP65 rated.



LWPR30

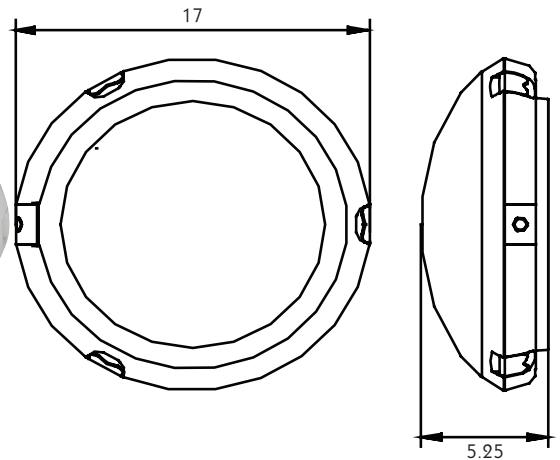


Features

- ABS non-metallic housing
- White finish
- Durable injection-molded construction
- Opal polycarbonate lens
- Surface ceiling or wall mount
- 120-277V 50/60Hz. driver
- 0-10V dimming
- Optional tamper-proof screws
- CSA listed for wet locations / IP65



LWPR32



Specifications

	13.75" Diameter	17" Diameter
Ordering Code	LWPR30	LWPR32
System Wattage	20	30
Incandescent Equivalent (W)	150	200
Input Voltage (VAC)	120-277	120-277
Delivered Lumens	1500	1500
Color Temperature (CCT)	4000K	4000K
Color Rendering Index (CRI)	80+	80+
Dimming	0-10V	0-10V
Rated Life (Hours L70)	50,000	50,000
Warranty (Years)	3	3
Height (Inches)	13.75	17
Width (Inches)	13.75	17
Extension (Inches)	5	5.25

