

AWPS220F

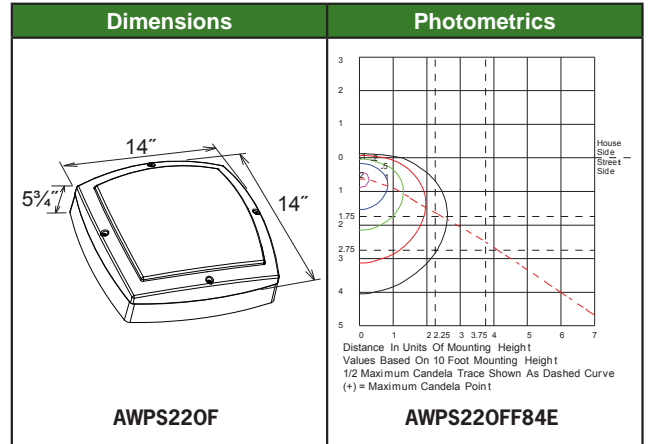
14" Square Open Frame Bulkhead

Housing: Gasketed die cast aluminum housing and open front frame, textured powdercoat finish over a chromate conversion coating
Reflector: White powdercoat steel pan reflector
Lens: Opalescent polycarbonate lens
Socket: CF Plug-In Type, GX24Q-3/-4
Mounting: Surface mount, or conduit entry via two 1/2" knockouts
Wattage: Compact Fluorescent: 2 x 26 to 42w
Listings & Ratings: CSA Listed for wet locations



Catalog #	Wattage	Voltage	Lamp	Ballast
AWPS220FF52E**	2 x 26	120-277	CF	Electronic
AWPS220FF64E**	2 x 32	120-277	CF	Electronic
AWPS220FF84E**	2 x 42	120-277	CF	Electronic

**Specify color: W=White, Z=Bronze



Options and Accessories	
Catalog #	Description
BBE	Battery Back Up - available for Compact Fluorescent models (specify 120V or 277V)
PC1	120V Photocell (Field Installed)
PC2	208-277V Photocell (Field Installed)



Specifications subject to change without notice.