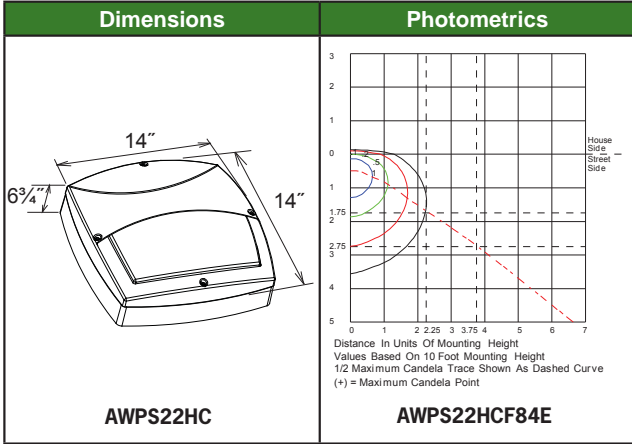


14" Square Half-Cutoff Bulkhead

AWPS22HC



Housing: Gasketed die cast aluminum housing and half-cutoff front frame, textured powdercoat finish over a chromate conversion coating
Reflector: White powdercoat steel pan reflector
Lens: Opalescent polycarbonate lens
Socket: CF Plug-In Type, GX24Q-3/-4
Mounting: Surface mount, or conduit entry via two 1/2" knockouts
Wattage: Compact Fluorescent: 2 x 26 to 42w
Listings & Ratings: CSA Listed for wet locations

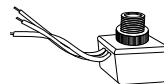


| Catalog # | Wattage | Voltage | Lamp | Ballast |
|------------------------------------|---------|---------|------|------------|
| AWPS22HCF52E** | 2 x 26 | 120-277 | CF | Electronic |
| AWPS22HCF64E** | 2 x 32 | 120-277 | CF | Electronic |
| AWPS22HCF84E** | 2 x 42 | 120-277 | CF | Electronic |
| **Specify Color: W=White, Z=Bronze | | | | |

| Options and Accessories | |
|-------------------------|---|
| Catalog # | Description |
| BBE | Battery Back Up - available for Compact Fluorescent models (specify 120V or 277V) |
| PC1 | 120V Photocell (Field Installed) |
| PC2 | 208-277V Photocell (Field Installed) |



BBE



PC1 / PC2

Specifications subject to change without notice.