

AWPR400F

15" Round Open Frame Bulkhead

Housing: 15" diameter die-cast aluminum housing and open top frame, 1/2" coin plugs with O-rings for conduit and photocell, textured bronze, white, or black powdercoat finish over a chromate conversion coating

Reflector: Aluminum reflector

Lens: Clear prismatic molded or frost molded borosilicate glass lens

Socket: HID: Porcelain 4KV pulse rated medium base or 5KV pulse rated mogul socket with nickel-plated screw shell

CF: Plug-in type, GX24Q-3/-4

Mounting: Mount over a 4" recessed outlet box, or use 1/2" surface conduit

Wattage: High Pressure Sodium: 35 to 150w

Metal Halide: 70 to 150w

Compact Fluorescent 1 x 26 to 42w, 2 x 26 to 42w

Induction: 80w

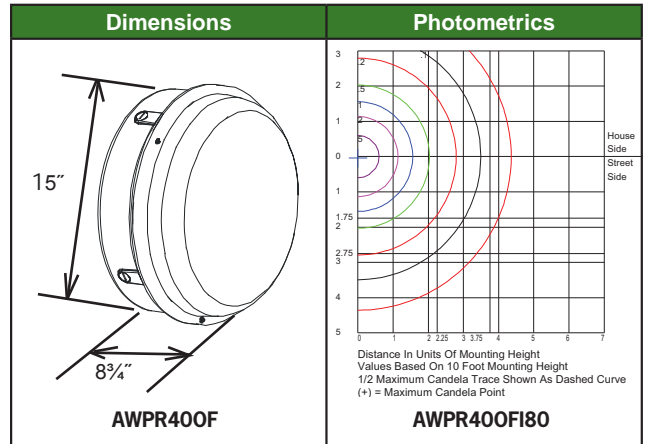
LED: 2 x 7.5w, 1 x 15w, 2 x 15w

Listings & Ratings: CSA Listed for wet locations

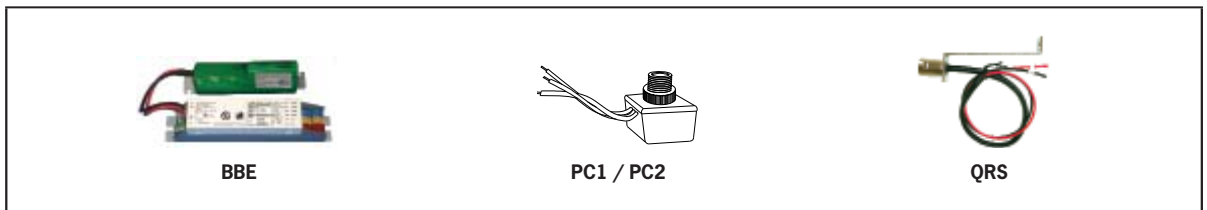


Catalog #	Wattage	Voltage	Lamp	Ballast
AWPR400FH35R120**◇	35	120	HPS	R-NPF
AWPR400FH50R120**◇	50	120	HPS	R-NPF
AWPR400FH70R120**◇	70	120	HPS	R-NPF
AWPR400FH100R120**◇	100	120	HPS	R-NPF
AWPR400FH150R120**◇	150	120	HPS	R-NPF
AWPR400FH50D**◇	50	120/277	HPS	HX-HPF
AWPR400FH70Q**◇	70	Quad	HPS	HX-HPF
AWPR400FH100Q**◇	100	Quad	HPS	HX-HPF
AWPR400FH150Q**◇	150	Quad	HPS	HX-HPF
AWPR400FM70Q**◇	70	Quad	MH	HX-HPF
AWPR400FM100Q**◇	100	Quad	MH	HX-HPF
AWPR400FM150**◇	150	Quad	MH	HX-HPF
AWPR400FF26E**◇	1 x 26	120-277	CF	Electronic
AWPR400FF32E**◇	1 x 32	120-277	CF	Electronic
AWPR400FF42E**◇	1 x 42	120-277	CF	Electronic
AWPR400FF52E**◇	2 x 26	120-277	CF	Electronic
AWPR400FF64E**◇	2 x 32	120-277	CF	Electronic
AWPR400FF84E**◇	2 x 42	120-277	CF	Electronic
AWPR400FI80120**◇	80	120	IND	Electronic
AWPR400FI80277**◇	80	277	IND	Electronic
AWPR400FL2X7HQ**◇	2 x 7.5	120-277	LED	Electronic
AWPR400FL1X15HQ**◇	1x 15	120-277	LED	Electronic
AWPR400FL2X15HQ**◇	2 x 15	120-277	LED	Electronic

**Specify color: W-White, B-Black, Z-Bronze
◇ Specify lens: C-clear, F-frost



Options and Accessories	
Catalog #	Description
BBE	Battery Back Up - available for Compact Fluorescent models (specify 120V or 277V)
PC1	120V Photocell (Field Installed)
PC2	208-277V Photocell (Field Installed)
QRS	Quartz Restrike Module (supplied with 100w DC bayonet base lamp)



Specifications subject to change without notice.