

15" Round Half-Cutoff Frame Bulkhead

AWPR40HC



**Housing:** 15" diameter die-cast aluminum housing and half-cutoff top frame, 1/2" coin plugs with O-rings for conduit and photocell, textured bronze, white, or black powdercoat finish over a chromate conversion coating

**Reflector:** Aluminum reflector

**Lens:** Clear prismatic molded or frost molded borosilicate glass lens

**Socket:** HID: Porcelain 4 KV pulse rated medium base socket or 5KV pulse rated mogul socket with nickel-plated screw shell

CF: Plug-in type, GX24Q-3/-4

**Mounting:** Mount over a 4" recessed outlet box, or use 1/2" surface conduit

**Wattage:** High Pressure Sodium: 35 to 150w

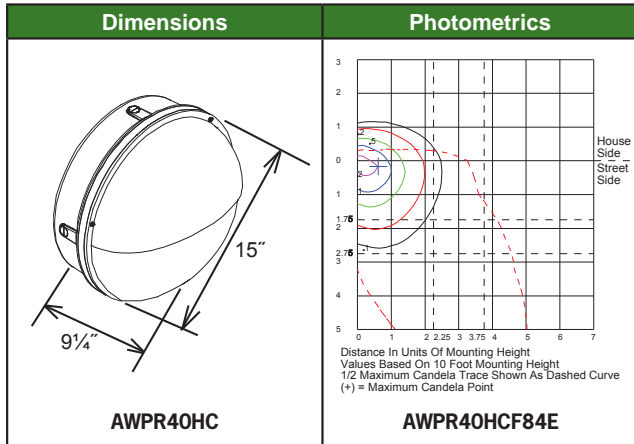
Metal Halide: 70 to 150w

Compact Fluorescent: 1 x 26 to 42w, 2 x 26 to 42w

Induction: 40w

LED: 2 x 7.5w, 1 x 15w

**Listings & Ratings:** CSA Listed for wet locations



Catalog #	Wattage	Voltage	Lamp	Ballast
AWPR40HCH35R120**◇	35	120	HPS	R-NPF
AWPR40HCH50R120**◇	50	120	HPS	R-NPF
AWPR40HCH70R120**◇	70	120	HPS	R-NPF
AWPR40HCH100R120**◇	100	120	HPS	R-NPF
AWPR40HCH150R120**◇	150	120	HPS	R-NPF
AWPR40HCH50D**◇	50	120/277	HPS	HX-HPF
AWPR40HCH70Q**◇	70	Quad	HPS	HX-HPF
AWPR40HCH100Q**◇	100	Quad	HPS	HX-HPF
AWPR40HCH150Q**◇	150	Quad	HPS	HX-HPF
AWPR40HCM70Q**◇	70	Quad	MH	HX-HPF
AWPR40HCM100Q**◇	100	Quad	MH	HX-HPF
AWPR40HCM150Q**◇	150	Quad	MH	HX-HPF
AWPR40HCF26E**◇	1 x 26	120-277	CF	Electronic
AWPR40HCF32E**◇	1 x 32	120-277	CF	Electronic
AWPR40HCF42E**◇	1 x 42	120-277	CF	Electronic
AWPR40HCF52E**◇	2 x 26	120-277	CF	Electronic
AWPR40HCF64E**◇	2 x 32	120-277	CF	Electronic
AWPR40HCF84E**◇	2 x 42	120-277	CF	Electronic
AWPR40HCI40120**◇	40	120	IND	Electronic
AWPR40HCI40277**◇	40	277	IND	Electronic
AWPR40HCL2X7HQ**◇	2 x 7.5	120-277	LED	Electronic
AWPR40HCL1X15HQ**◇	1 x 15	120-277	LED	Electronic

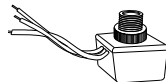
\*\*Specify color: W-White, B-Black, Z-Bronze  
◇ Specify lens: C-clear, F-frost

Options and Accessories

Catalog #	Description
BBE	Battery Back Up - available for Compact Fluorescent models (specify 120V or 277V)
PC1	120V Photocell (Field Installed)
PC2	208-277V Photocell (Field Installed)
QRS	Quartz Restrike Module (supplied with 100w DC bayonet base lamp)



BBE



PC1 / PC2



QRS

Specifications subject to change without notice.