

AWPC25

Large Deep Full-Cutoff Wall Pack

Housing: Die-cast aluminum housing and hinged front frame, 1/2" coin plugs with O-rings for conduit and photocell, textured architectural bronze powdercoat finish over a chromate conversion coating

Reflector: Aluminum reflector

Lens: Flat tempered clear glass lens

Socket: Porcelain 5KV pulse rated mogul base socket with nickel-plated screw shell

Mounting: Cast-in template for mounting directly over a 4" recessed outlet box, or use 1/2" surface conduit

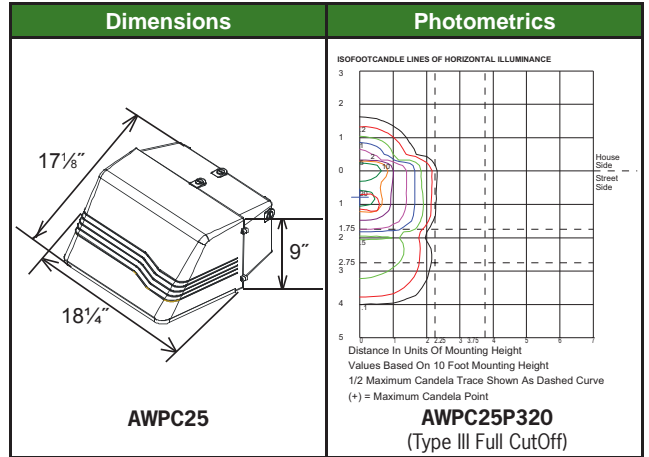
Wattage: High Pressure Sodium: 100 to 400w
Pulse-start: 250 to 400w

Listings & Ratings: CSA Listed for wet locations

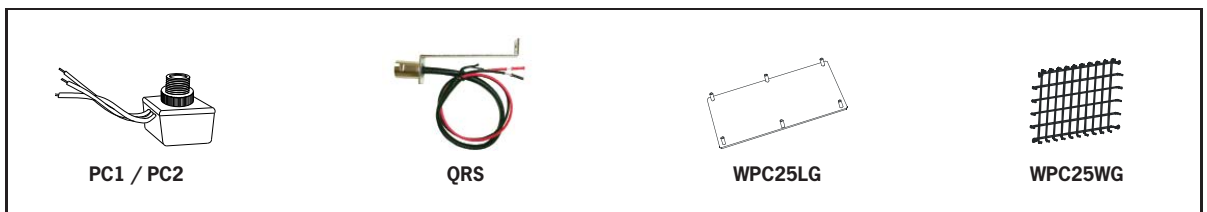


Catalog #	Wattage	Voltage	Lamp	Ballast
AWPC25H100QMG	100	Quad	HPS	HX-HPF
AWPC25H150QMG	150	Quad	HPS	HX-HPF
AWPC25H250Q	250	Quad	HPS	CWA
AWPC25H400Q	400	Quad	HPS	CWA
AWPC25P250Q	250	Quad	PS	CWA
AWPC25P320Q	320	Quad	PS	CWA
AWPC25P400Q	400	Quad	PS	CWA

Items marked with meet EISA regulations for 150-500 watt Metal Halide luminaires.



Options and Accessories	
Catalog #	Description
PC1	120V Photocell (Field Installed)
PC2	208-277V Photocell (Field Installed)
QRS	Quartz Restrike Module (supplied with 100w DC bayonet base lamp)
WPC25LG	Clear polycarbonate vandal resistant guard
WPC25WG	Wire guard, stainless steel construction



Specifications subject to change without notice.