

Large Shallow Cutoff Wall Pack

AWPC20



Housing: Die-cast aluminum housing and hinged front frame, 1/2" coin plugs with O-rings for conduit and photocell, textured architectural bronze powdercoat finish over a chromate conversion coating

Reflector: Aluminum reflector

Lens: Flat tempered clear glass lens

Socket: Porcelain 5KV pulse rated mogul base with nickel-plated screw shell

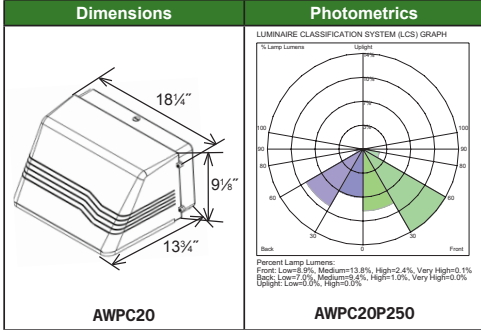
Mounting: Cast-in template for mounting directly over a 4" recessed outlet box, or use 1/2" surface conduit

Wattage: High Pressure Sodium: 100 to 250w

Pulse-start / Metal Halide: 100 to 400w

LED: 2 x 7.5w, 3 x 7.5w, 2 x 15w, 3 x 15w

Listings & Ratings: CSA Listed for wet locations

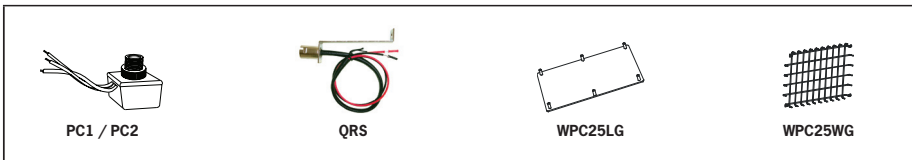


Catalog #	Wattage	Voltage	Lamp	Ballast
AWPC20H100QMG	100	Quad	HPS	HX-HPF
AWPC20H150QMG	150	Quad	HPS	HX-HPF
AWPC20H250Q	250	Quad	HPS	CWA
AWPC20M100QMG	100	Quad	MH	HX-HPF
AWPC20M150QMG	150	Quad	MH	HX-HPF
AWPC20P250Q	250	Quad	PS \oplus	CWA
AWPC20P320Q	320	Quad	PS \oplus	CWA
AWPC20P400Q	400	Quad	PS \oplus	CWA
AWPC20L2X7HQ	2 x 7.5	120-277	LED	Electronic
AWPC20L3X7HQ	3 x 7.5	120-277	LED	Electronic
AWPC20L2X15Q	2 x 15	120-277	LED	Electronic
AWPC20L3X15Q	3 x 15	120-277	LED	Electronic

Items marked with \oplus meet EISA regulations for 150-500 watt Metal Halide luminaires.

Options and Accessories

Catalog #	Description
PC1	120V Photocell (Field Installed)
PC2	208-277V Photocell (Field Installed)
QRS	Quartz Restrike Module (supplied with 100w DC bayonet base lamp)
WPC25LG	Clear polycarbonate vandal resistant guard
WPC25WG	Wire guard, stainless steel construction



Specifications subject to change without notice.