

Hooded Fluorescent Wall Pack

AWPB40



Housing: Die-cast aluminum back housing with cast-in template for mounting over an electrical box, color matched polycarbonate front housing with clear ribbed lens area, 1/2" coin plugs with O-rings for conduit and photocell, textured architectural bronze powdercoat finish over a chromate conversion coating

Reflector: Aluminum reflector

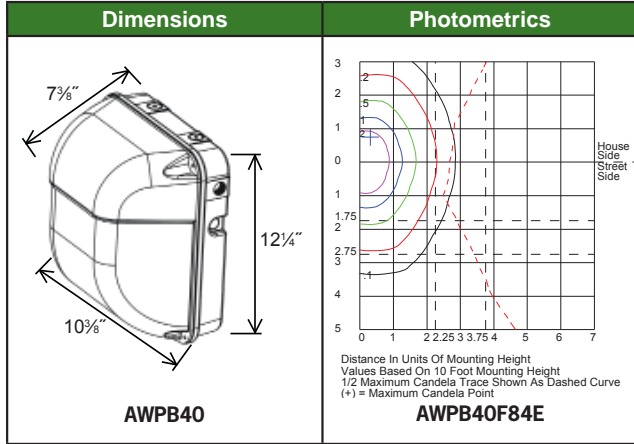
Lens: Clear ribbed polycarbonate lens area in front housing

Socket: CF Plug-in type, GX24Q-3/-4

Mounting: Mount over a 4" recessed outlet box or use 1/2" surface conduit

Wattage: Compact Fluorescent: 1 x 26 to 42w, 2 x 26 to 42w
LED: 2 x 7.5w, 1 x 15w, 2 x 15w

Listings & Ratings: CSA Listed for wet locations



Catalog #	Wattage	Voltage	Lamp	Ballast
AWPB40F26E	1 x 26	120-277	CF	Electronic
AWPB40F32E	1 x 32	120-277	CF	Electronic
AWPB40F42E	1 x 42	120-277	CF	Electronic
AWPB40F52E	2 x 26	120-277	CF	Electronic
AWPB40F64E	2 x 32	120-277	CF	Electronic
AWPB40F84E	2 x 42	120-277	CF	Electronic
AWPB40L2X7HQ	2 x 7.5	120-277	LED	Electronic
AWPB40L1X15Q	1 x 15	120-277	LED	Electronic
AWPB40L2X15Q	2 x 15	120-277	LED	Electronic

Options and Accessories	
Catalog #	Description
BBE	Battery Back Up - available for Compact Fluorescent models (specify 120V or 277V)
PC1	120V Photocell (Field Installed)
PC2	208-277V Photocell (Field Installed)



Specifications subject to change without notice.