

AWP35

Half Round Cutoff Wall Sconce Downlight

Housing: Die-cast housing, textured white, bronze, or black powdercoat finish over a chromate conversion coating

Reflector: Aluminum reflector

Lens: Flat tempered glass lens

Socket: HID: Porcelain 4KV pulse rated medium base socket with nickel-plated screw shell
CF: Plug-in type, GX24Q-3/-4

Mounting: Mount over a 4" recessed outlet box, includes Easy Hang "Two Hands Free" wall mounting bracket

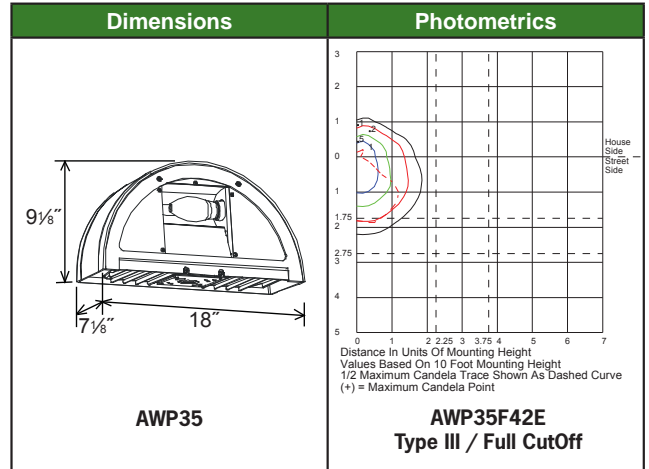
Wattage: High Pressure Sodium: 35 to 150w
Metal Halide: 50 to 150w
Compact Fluorescent: 1 x 26 to 42w
LED: 2 x 7.5w, 3 x 7.5w, 2 x 15w, 3 x 15w

Listings & Ratings: CSA Listed for wet locations



Catalog #	Wattage	Voltage	Lamp	Ballast
AWP35H35R120**	35	120	HPS	R-NPF
AWP35H50R120**	50	120	HPS	R-NPF
AWP35H70R120**	70	120	HPS	R-NPF
AWP35H100R120**	100	120	HPS	R-NPF
AWP35H150R120**	150	120	HPS	R-NPF
AWP35H70Q**	70	Quad	HPS	HX-HPF
AWP35H100Q**	100	Quad	HPS	HX-HPF
AWP35H150Q**	150	Quad	HPS	HX-HPF
AWP35M50D**	50	120/277	MH	HX-HPF
AWP35M70Q**	70	Quad	MH	HX-HPF
AWP35M100Q**	100	Quad	MH	HX-HPF
AWP35M150Q**	150	Quad	MH	HX-HPF
AWP35F26E**	1 x 26	120-277	CF	Electronic
AWP35F32E**	1 x 32	120-277	CF	Electronic
AWP35F42E**	1 x 42	120-277	CF	Electronic
AWP35L2X7HQ**	2 x 7.5	120-277	LED	Electronic
AWP35L3X7HQ**	3 x 7.5	120-277	LED	Electronic
AWP35L2X15Q**	2 x 15	120-277	LED	Electronic
AWP35L3X15Q**	3 x 15	120-277	LED	Electronic

**Specify Color: W-White, B-Black, or Z-Bronze



Options and Accessories	
Catalog #	Description
BBE	Battery Back Up - available for Compact Fluorescent models (specify 120V or 277V)
PC1	120V Photocell (Field Installed)
PC2	208-277V Photocell (Field Installed)



Specifications subject to change without notice.