

Medium Wall Pack

AWP15



Housing: Die-cast aluminum housing and hinged front frame, 1/2" coin plugs with O-rings for conduit and photocell, textured architectural bronze powdercoat finish over a chromate conversion coating

Reflector: Aluminum reflector

Lens: Molded prismatic borosilicate glass lens

Socket: HID: Porcelain 4KV pulse rated medium base or 5KV pulse rated mogul base socket with nickel-plated screw shell

CF: Plug-in type, GX24Q-3/-4

Mounting: Cast-in template for mounting directly over a 4" recessed outlet box, or use 1/2" surface conduit.

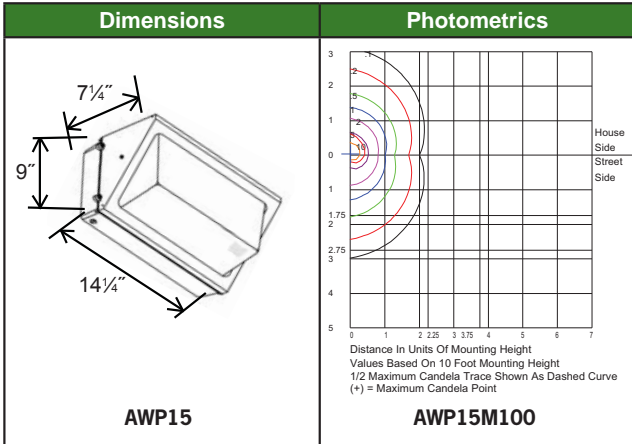
Wattage: High Pressure Sodium: 35 to 150w

Metal Halide: 50 to 150w

Compact Fluorescent: 1 x 26 to 42w, 2 x 26 to 42w

LED: 1 x 7.5w, 2 x 7.5w, 1 x 15w, 2 x 15w

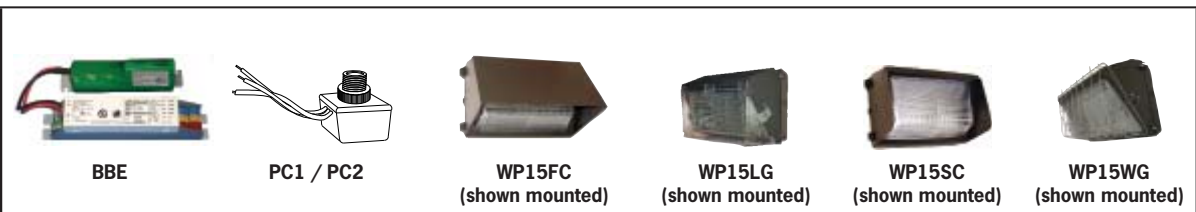
Listings & Ratings: CSA Listed for wet locations



Catalog #	Wattage	Voltage	Lamp	Ballast
AWP15H35R120	35	120	HPS	R-NPF
AWP15H50R120	50	120	HPS	R-NPF
AWP15H70R120	70	120	HPS	R-NPF
AWP15H100R120	100	120	HPS	R-NPF
AWP15H150R120	150	120	HPS	R-NPF
AWP15H50D	50	120/277	HPS	HX-HPF
AWP15H70Q	70	Quad	HPS	HX-HPF
AWP15H100Q	100	Quad	HPS	HX-HPF
AWP15H150Q	150	Quad	HPS	HX-HPF
AWP15M50D	50	120/277	MH	HX-HPF
AWP15M70Q	70	Quad	MH	HX-HPF
AWP15M100Q	100	Quad	MH	HX-HPF
AWP15M150Q	150	Quad	MH	HX-HPF
AWP15F26E	1 x 26	120-277	CF	Electronic
AWP15F32E	1 x 32	120-277	CF	Electronic
AWP15F42E	1 x 42	120-277	CF	Electronic
AWP15F52E	2 x 26	120-277	CF	Electronic
AWP15F64E	2 x 32	120-277	CF	Electronic
AWP15F84E	2 x 42	120-277	CF	Electronic
AWP15L1X7HQ	1 x 7.5	120-277	LED	Electronic
AWP15L2X7HQ	2 x 7.5	120-277	LED	Electronic
AWP15L1X15Q	1 x 15	120-277	LED	Electronic
AWP15L2X15Q	2 x 15	120-277	LED	Electronic

Options and Accessories

Catalog #	Description
BBE	Battery Back Up - available for Compact Fluorescent models (specify 120V or 277V)
PC1	120V Photocell (Field Installed)
PC2	208-277V Photocell (Field Installed)
WP15FC	Full cutoff, stamped steel, textured bronze finish
WP15LG	Clear polycarbonate vandal resistant guard
WP15SC	Side cutoff, stamped steel, textured bronze finish
WP15WG	Wire guard, stainless steel construction



Specifications subject to change without notice.