

AWP12

Small Wall Pack Glass Lens

Housing: Die-cast aluminum housing with hinged front frame, 1/2" coin plugs with O-rings for conduit and photocell, textured architectural bronze powdercoat finish over a chromate conversion coating

Reflector: Aluminum reflector

Lens: Molded prismatic borosilicate glass lens with gasket

Socket: Porcelain 4KV pulse rate medium base socket with nickel-plated screw shell

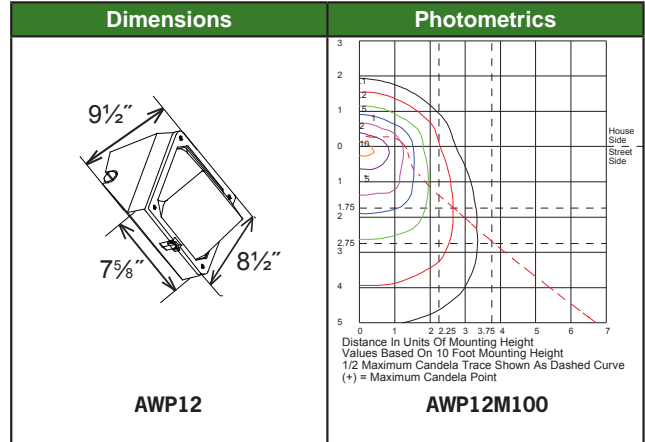
Mounting: Optional cast aluminum mounting plate mounts directly over a 4" recessed outlet box or 1/2" surface conduit.

Wattage: High Pressure Sodium: 35 to 150w
Metal Halide: 50 to 100w

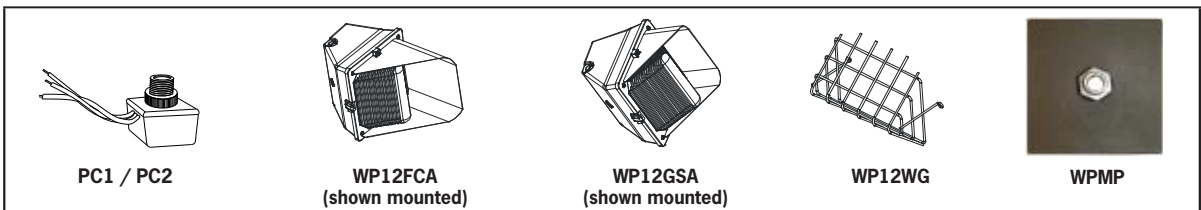
Listings & Ratings: CSA Listed for wet locations



| Catalog # | Wattage | Voltage | Lamp | Ballast |
|---------------|---------|---------|------|---------|
| AWP12H35R120 | 35 | 120 | HPS | R-NPF |
| AWP12H50R120 | 50 | 120 | HPS | R-NPF |
| AWP12H70R120 | 70 | 120 | HPS | R-NPF |
| AWP12H100R120 | 100 | 120 | HPS | R-NPF |
| AWP12H150R120 | 150 | 120 | HPS | R-NPF |
| AWP12H50D | 50 | 120/277 | HPS | HX-HPF |
| AWP12H70Q | 70 | Quad | HPS | HX-HPF |
| AWP12H100Q | 100 | Quad | HPS | HX-HPF |
| AWP12M50D | 50 | 120/277 | MH | HX-HPF |
| AWP12M70Q | 70 | Quad | MH | HX-HPF |
| AWP12M100Q | 100 | Quad | MH | HX-HPF |



| Options and Accessories | |
|-------------------------|--|
| Catalog # | Description |
| PC1 | 120V Photocell (Field Installed) |
| PC2 | 208-277V Photocell (Field Installed) |
| WP12FCA | Full cutoff, stamped aluminum, textured bronze finish |
| WP12GSA | Glare shield, stamped aluminum, textured bronze finish |
| WP12WG | Wire guard, stainless steel construction |
| WPMP | Die cast wall mount plate with locknut, O-ring & weatherproof gasket |



Specifications subject to change without notice.